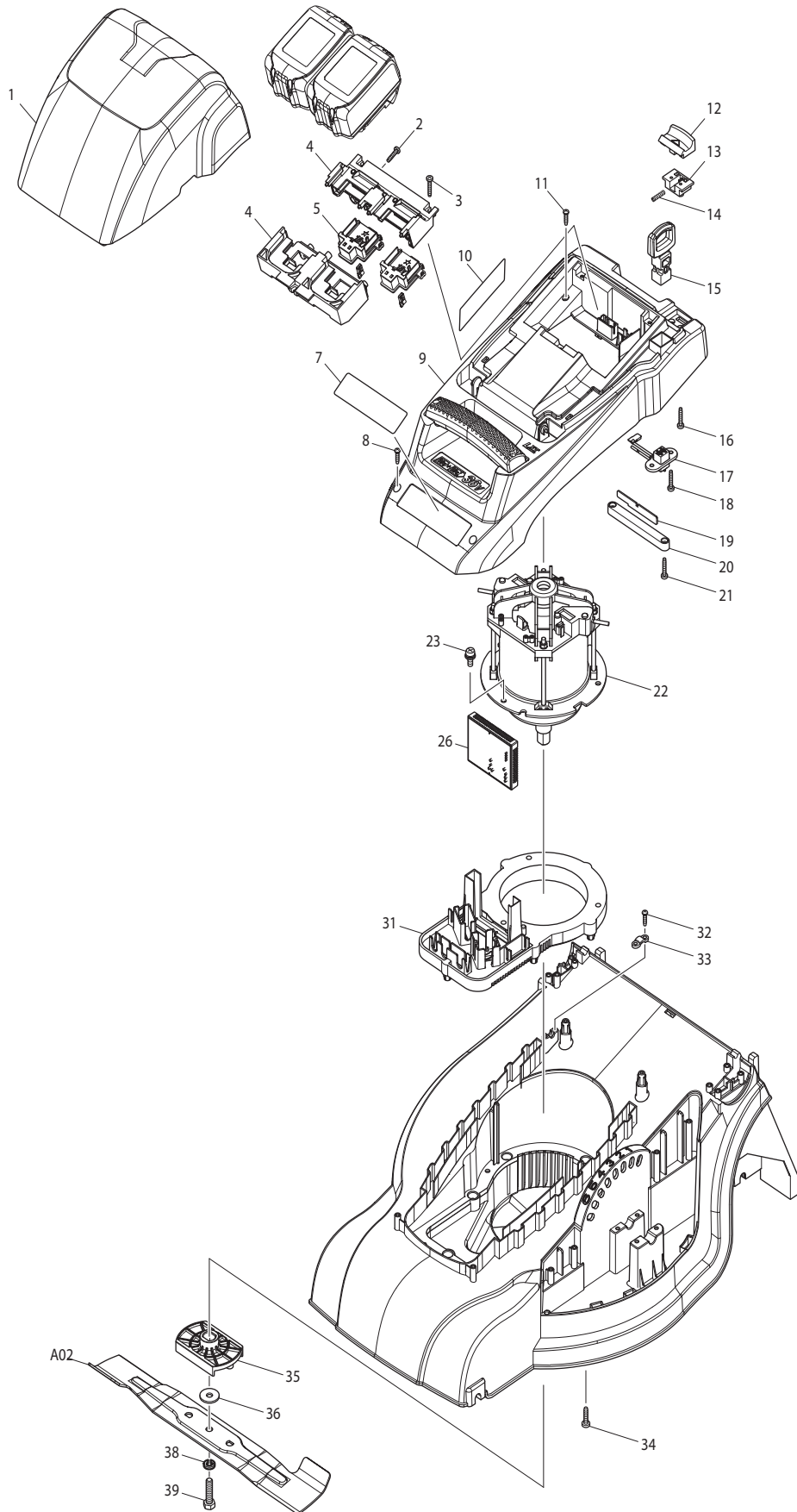
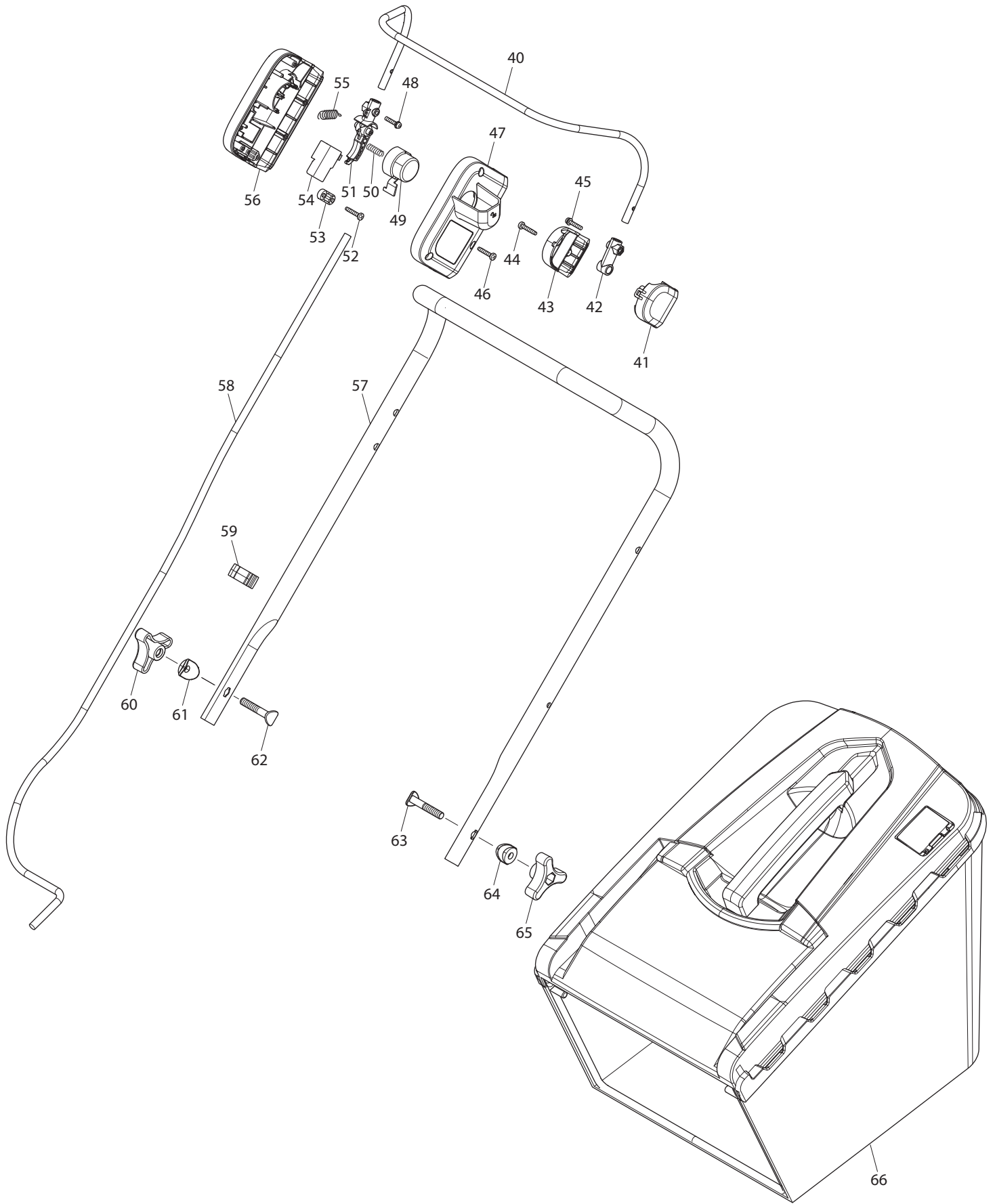


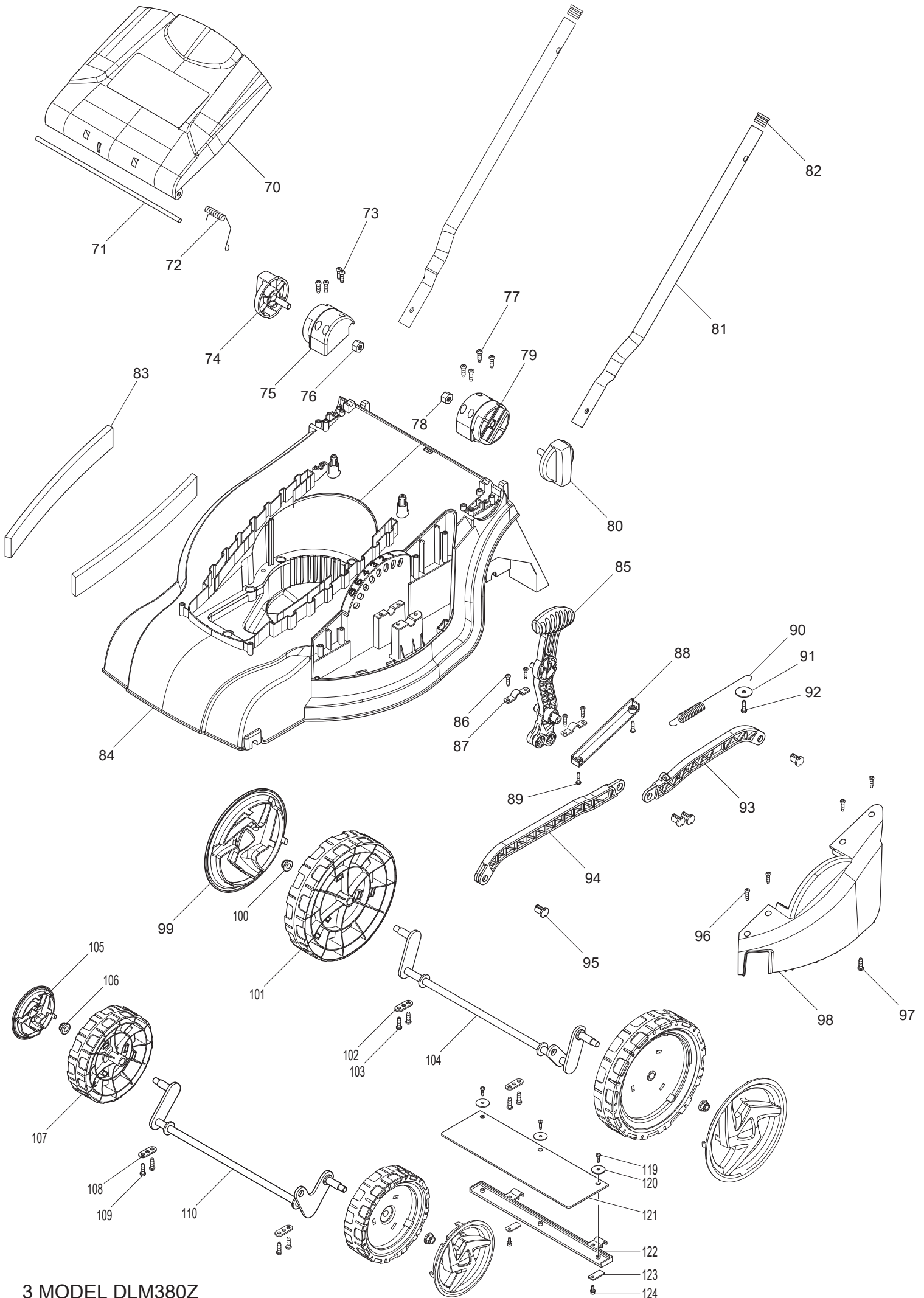


03 - 2014
DLM380Z

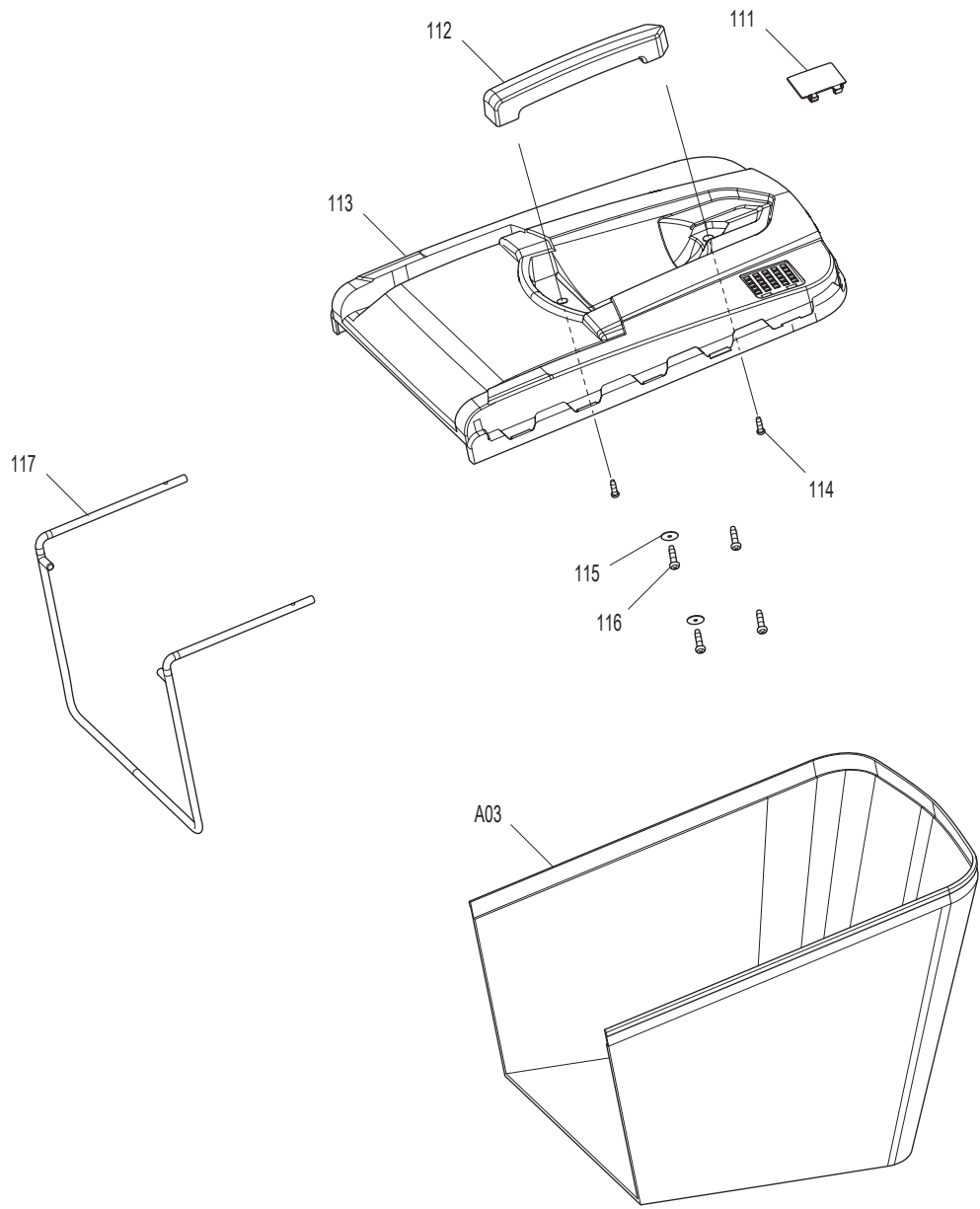
18V X 2 DIRECT CORDLESS LAWN MOWER







3 MODEL DLM380Z



Item No	Type	Sub	Part No	Description	Qty	Unit
001	2		140C45-5	BATTERY COVER COMPLETE A	1	PC.
		INC.	263005-3	RUBBER PIN 6	1	PC.
		INC.	890381-8	CAUTION LABEL	1	PC.
		INC.	890378-7	CAUTION LABEL	1	PC.
002			266424-2	TAPPING SCREW 4X20	3	PC.
003			266424-2	TAPPING SCREW 4X20	3	PC.
004			187926-4	TERMINAL HOUSING SET	1	SET
		INC.	263005-3	RUBBER PIN 6	4	PC.
005			644808-8	TERMINAL	2	PC.
007			803J08-1	MAKITA LOGO LABEL	1	PC.
008			266890-3	TAPPING SCREW 4X16	2	PC.
009			142591-6	COWLING COMPLETE	1	PC.
010			815M03-7	DLM380 NAME PLATE	1	PC.
011			266890-3	TAPPING SCREW 4X16	2	PC.
012			453250-0	LOCK LEVER	1	PC.
013			453251-8	LOCK LEVER SUPPORT	1	PC.
014			233173-6	COMPRESSION SPRING 4	1	PC.
015			643890-4	KEY	1	PC.
016			266424-2	TAPPING SCREW 4X20	2	PC.
017			638946-6	LEAD UNIT	1	PC.
018			266424-2	TAPPING SCREW 4X20	2	PC.
019			620278-5	LED CIRCUIT	1	PC.
020			455070-8	LED COVER	1	PC.
021			266424-2	TAPPING SCREW 4X20	2	PC.
022			629118-4	DC MOTOR	1	PC.
023			266892-9	+ PAN HEAD SCREW M6X16 WITH WR	3	PC.
026			620277-7	CONTROLLER	1	PC.
031			455064-3	MOTOR BRACKET	1	PC.
032	2		266424-2	* TAPPING SCREW 4X20	2	PC.
033			687A88-9	CORD CLAMP	1	PC.
034			266420-0	TAPPING SCREW 5X20	6	PC.
035	2		140N25-7	BLADE SUPPORT COMPLETE	1	PC.
038			942201-3	SPRING WASHER 8	1	PC.
039			266889-8	HEX BOLT M8X30	1	PC.
040			332106-9	SWITCH LEVER	1	PC.
041			455076-6	SWITCH LEVER CASE	1	PC.
042			455078-2	ARM	1	PC.
043			455077-4	SWITCH LEVER CASE COVER	1	PC.
044			266424-2	TAPPING SCREW 4X20	1	PC.
045			911138-5	PAN HEAD SCREW M4X20	1	PC.
046			266424-2	TAPPING SCREW 4X20	4	PC.
047			455073-2	SWITCH BOX COVER	1	PC.
048			911138-5	PAN HEAD SCREW M4X20	1	PC.
049			455074-0	SWITCH BUTTON	1	PC.
050			233068-3	COMPRESSION SPRING 6	1	PC.
051			455075-8	LEVER	1	PC.
052			266424-2	TAPPING SCREW 4X20	2	PC.
053			687124-5	STRAIN RELIEF	1	PC.
054			650730-9	SWITCH TG72BD-6	1	PC.
055			231876-6	TENSION SPRING 9	1	PC.
056			455072-4	SWITCH BOX	1	PC.
057			332121-3	UPPER HANDLE A	1	PC.
058			660481-6	POWER SUPPLY CODE #16-3-1.08	1	PC.
059			455071-6	CORD HOLDER	1	PC.

Item No	Type	Sub	Part No	Description	Qty	Unit
060			252657-5	THUMB NUT M8	1	PC.
061			455131-4	CURL WASHER 8	1	PC.
062			266893-7	FLAT HEAD BOLT M8X45	1	PC.
063			266893-7	FLAT HEAD BOLT M8X45	1	PC.
064			455131-4	CURL WASHER 8	1	PC.
065			252657-5	THUMB NUT M8	1	PC.
066		2	126785-1	GRASS CATCHER ASSEMBLY MA	1	PC.
070			DA00000348	REAR COVER ASSEMBLY	1	PC.
071			DA00000332	AXIS	1	PC.
072			DA00000352	SPRING	1	PC.
073		2	DA00000520	* SELF DRIVING SCREW 5X25	4	PC.
074		2	DA00001237	THUMB SCREW M8	1	PC.
075			DA00000350	RIGHT FIXING BOARD OF HANDLE	1	PC.
076			DA00000343	HEXAGON NUT	1	PC.
077		2	DA00000520	* SELF DRIVING SCREW 5X25	4	PC.
078			DA00000343	HEXAGON NUT	1	PC.
079			DA00000344	LEFT FIXING BOARD OF HANDLE	1	PC.
080		2	DA00001237	THUMB SCREW M8	1	PC.
081		3	327060-0	* LOWER HANDLE A	2	PC.
082			DA00000346	PIPE PLUG	2	PC.
083			DA00000354	WATER PROOF STRIP	2	PC.
084		4	DA00001245	* DECK	1	PC.
085			DA00000339	HEIGHT ADJUSTMENT HANDLE	1	PC.
086			266890-3	TAPPING SCREW 4X16	4	PC.
087			DA00000338	HANDLE OF PRESSING BOARD	2	PC.
088			DA00000337	GRASS-PROOF STRAP	1	PC.
089			266890-3	TAPPING SCREW 4X16	2	PC.
090			DA00000353	SPRING OF CONNECTING ROD	1	PC.
091			DA00000347	WASHER	1	PC.
092			DA00000326	TAPPING SCREW ST5X16	1	PC.
093			DA00000341	HEIGHT ADJUSTMENT POLE 2	1	PC.
094			DA00000340	HEIGHT ADJUSTMENT POLE 1	1	PC.
095			DA00000333	CONNECTION ROD PIN	4	PC.
096			266890-3	TAPPING SCREW 4X16	4	PC.
097			DA00000326	TAPPING SCREW ST5X16	1	PC.
098			DA00000351	SIDE DISCHARGE COVER OF DECK	1	PC.
099			DA00000331	7.5" WHEEL COVER	2	PC.
100			DA00000342	HEXAGON LOCKING NUT	2	PC.
101			DA00000330	7.5" WHEEL ASSEMBLY	2	PC.
102		2	161373-7	PLATE	2	PC.
103			DA00000326	TAPPING SCREW ST5X16	4	PC.
104			DA00000349	REAR WHEEL AXLE ASSEMBLY	1	PC.
105			DA00000329	5.5" WHEEL COVER	2	PC.
106			DA00000342	HEXAGON LOCKING NUT	2	PC.
107			DA00000328	5.5" WHEEL ASSEMBLY	2	PC.
108			DA00000335	RETAINER PLATE	2	PC.
109			DA00000326	TAPPING SCREW ST5X16	4	PC.
110			DA00000336	FRONT WHEEL AXIS ASSEMBLY	1	PC.
111			DA00000360	LEVEL INDICATOR	1	PC.
112			DA00000359	HANDLE OF GRASS CATCHER	1	PC.
113			DA00000362	UPPER COVER OF GRASS CATCHER	1	PC.
114			DA00000326	TAPPING SCREW ST5X16	2	PC.
115			DA00000361	PRESSING PLATE	2	PC.
116			266890-3	TAPPING SCREW 4X16	4	PC.

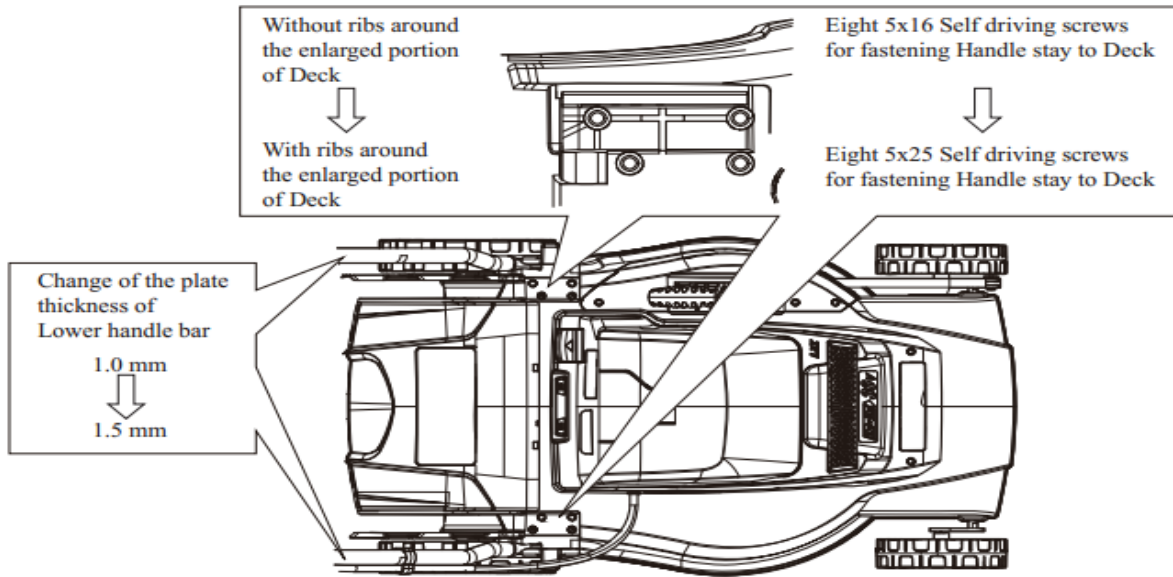
Item No	Type	Sub	Part No	Description	Qty	Unit
117			DA00000358	GRASS CATCHER BRACKET	1	PC.
119			266385-6	TAPPING SCREW 4X14	3	PC.
120			267438-4	FLAT WASHER 5	3	PC.
121			424628-4	PROTECTIVE SHIELD	1	PC.
122			455079-0	PROTECTIVE SHIELD HOLDER	1	PC.
123			346545-7	PLATE	2	PC.
124			922118-6	HEX. SOCKET HEAD BOLT M4X12	2	PC.
E02			890374-5	INDICATION LABEL	1	PC.
E03			632D01-0	FUSE UNIT	1	PC.
E04			803J03-1	CAUTION LABEL	1	PC.
<u>ACCESSORIES</u>			- See Catalogue or visit www.makita.ca for more accessories -			
A01			782016-4	OFFSET WRENCH 13	1	PC.
A02			196863-1	BLADE 380 SET	1	PC.
A03			DA00000357	GRASS CATCHER	1	PC.
A04			---	18V LI-ION BATTERY		
A05			---	BATTERY CHARGER		
A06			---	LI-ION BATTERY ACCESSORIES		

SERVICE CHANGES

1. Changes on Deck, Lower Handle Bar etc.

Item No.	Description	(TI#A5781)	(TI#A7264)	T/I# C0596
		Type 2	Type 3	Type 4
32	Tap Screw M4x16		266890-3	266424-2
84	Deck	DA00000334	DA00000778	DA00001245
81	Lower Handle Bar		DA00000521	327060-0
73	Self Driving Screw M5x16 >M5 x25		DA00000520	
77	Self Driving Screw M5x16 >M5 x25		DA00000520	

(TI#A5781)



(TI#A7264)

